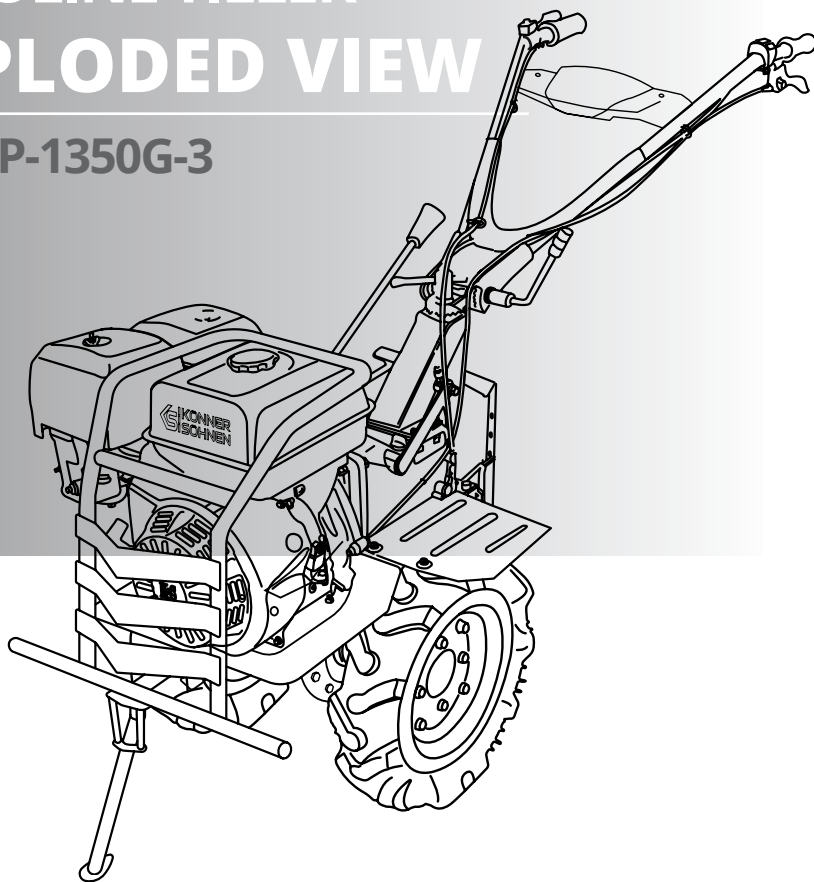


GASOLINE TILLER EXPLODED VIEW

KS 9HP-1350G-3



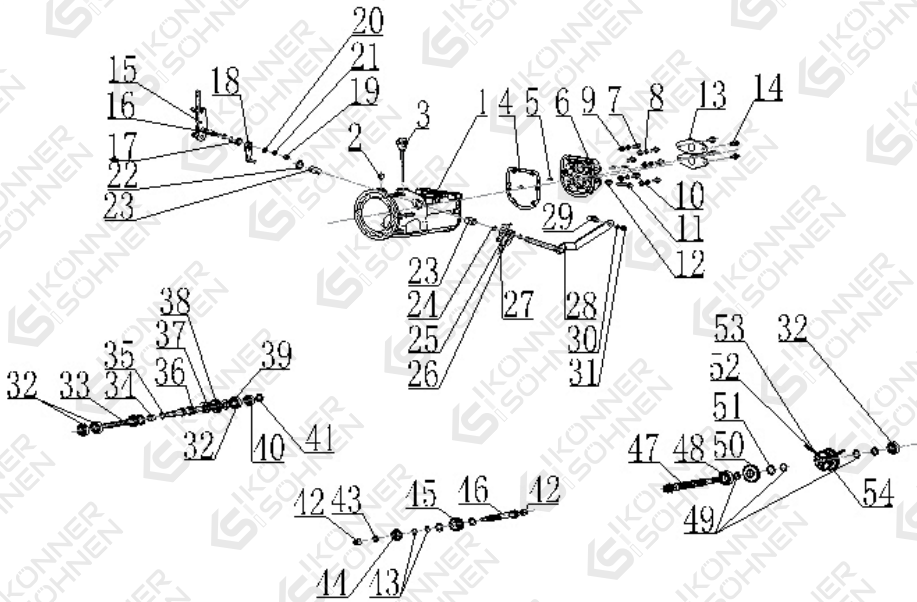
TRADITIONELLE DEUTSCHE QUALITÄT

CONTENTS

1. Gearbox assembly.....	2
2. Transmission assembly.....	5
3. Flange and Clutch assembly.....	7
4. Fender and Connecting frame and Support frame part.....	8
5. Armrest part.....	10
6. Blades part	12

! This material is for informational purposes only and is not an instruction. The connection of the equipment in each case must be performed by a certified electrician, in accordance with local laws and regulations. Before connecting, we urge you to read the recommendations in the manual for the generator. The manufacturer is not responsible for improper connection of equipment, and is not responsible for possible material and physical damage that may occur as a result of improper installation, connection or operation of equipment.

1. GEARBOX ASSEMBLY

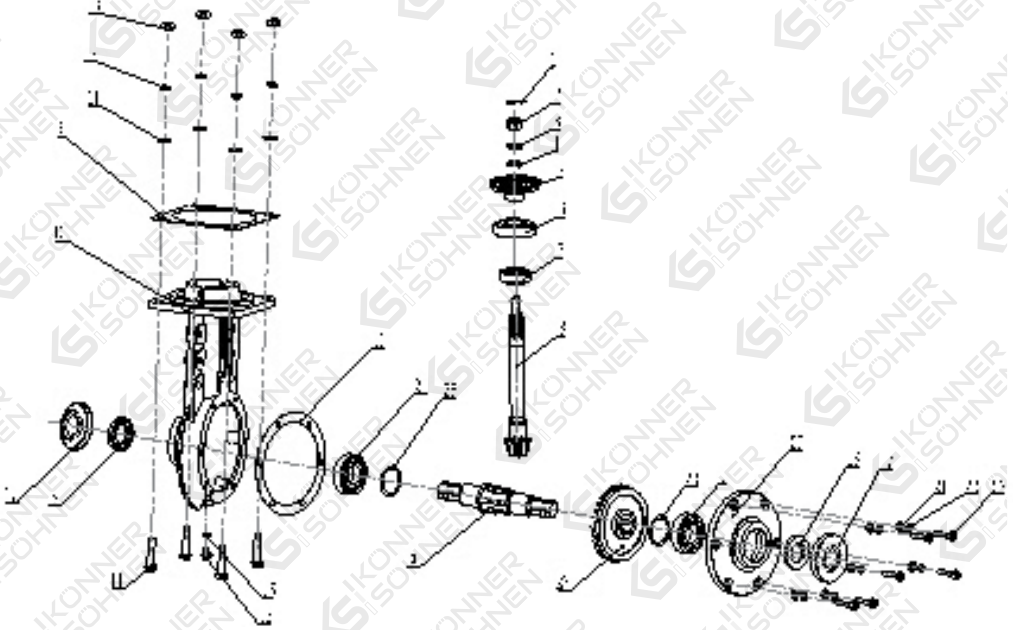


No	REF. No	DESCRIPTION	QTY
1	KS 9HP-1350G-3.1.1	Gearbox	1
2	KS 9HP-1350G-3.1.2	Pressure relief bolt	1
3	KS 9HP-1350G-3.1.3	Dipstick	1
4	KS 9HP-1350G-3.1.4	Gearbox back cover	1
5	KS 9HP-1350G-3.1.5	Locating pin $\Phi 6 \times 12$	2
6	KS 9HP-1350G-3.1.6	Gearbox back cover gasket	1
7	KS 9HP-1350G-3.1.7	Bolt M8*1.25*35	6
8	KS 9HP-1350G-3.1.8	Spring washer 8*2.1	6
9	KS 9HP-1350G-3.1.9	Flat Washer 8*1.6	6
11	KS 9HP-1350G-3.1.11	Hexagon nut M8	1
12	KS 9HP-1350G-3.1.12	Bolt M8*1.25*45	1
13	KS 9HP-1350G-3.1.13	Main shaft protection cover	2

No	REF. No	DESCRIPTION	QTY
14	KS 9HP-1350G-3.1.14	Bolt M8*1.25*20	4
15	KS 9HP-1350G-3.1.15	Shift arm	1
16	KS 9HP-1350G-3.1.16	O-ring 10*2.0	2
17	KS 9HP-1350G-3.1.17	Shift fork bushing φ14*φ22*6.5	1
18	KS 9HP-1350G-3.1.18	Shift fork	1
19	KS 9HP-1350G-3.1.19	Hexagon Nut M8	1
20	KS 9HP-1350G-3.1.20	Flat Washer 8*1.6	1
21	KS 9HP-1350G-3.1.21	Spring washer 8*2.1	1
22	KS 9HP-1350G-3.1.22	Shaft retaining ring 14	1
23	KS 9HP-1350G-3.1.23	Clutch bushing φ14*φ18*28.5	2
24	KS 9HP-1350G-3.1.24	O-ring 9*2.65	2
25	KS 9HP-1350G-3.1.25	Cotter pin 2*20	1
26	KS 9HP-1350G-3.1.26	Clutch fork	1
27	KS 9HP-1350G-3.1.27	B-type Pin 6*28	1
28	KS 9HP-1350G-3.1.28	Clutch arm	1
29	KS 9HP-1350G-3.1.29	Clutch line seat	1
30	KS 9HP-1350G-3.1.30	Spring washer 8*2.1	1
31	KS 9HP-1350G-3.1.31	Hexagon nut M8	1
32	KS 9HP-1350G-3.1.32	Deep groove earing 6003	2
33	KS 9HP-1350G-3.1.33	Main shaft	1
34	KS 9HP-1350G-3.1.34	Radial needle roller bearing K12*16*17	1
35	KS 9HP-1350G-3.1.35	Non-standard gasket Φ21x- Φ12x2.5	1
36	KS 9HP-1350G-3.1.36	Secondary shaft	1
37	KS 9HP-1350G-3.1.37	Non-standard gasket Φ21x- Φ12x2.5	1
38	KS 9HP-1350G-3.1.38	Low speed gear	1
39	KS 9HP-1350G-3.1.39	Adjusting washer 15*23*0.5	4
40	KS 9HP-1350G-3.1.40	Oil seal φ15*φ30*7	2
41	KS 9HP-1350G-3.1.41	Shaft retaining ring	1

No	REF. No	DESCRIPTION	QTY
42	KS 9HP-1350G-3.1.42	Bearing HK1214	2
43	KS 9HP-1350G-3.1.43	Shaft retaining ring 15	3
44	KS 9HP-1350G-3.1.44	Low speed gear	1
45	KS 9HP-1350G-3.1.45	Reverse gear	1
46	KS 9HP-1350G-3.1.46	Low speed shaft gear	1
47	KS 9HP-1350G-3.1.47	Two-axis angular gear	1
48	KS 9HP-1350G-3.1.48	Bearing 6004	1
49	KS 9HP-1350G-3.1.49	Shaft retaining ring 20	3
50	KS 9HP-1350G-3.1.50	Three-gear	1
51	KS 9HP-1350G-3.1.51	Non-standard gasket Φ20*Φ26*1	1
52	KS 9HP-1350G-3.1.52	Positioning spring	2
53	KS 9HP-1350G-3.1.53	Steel ball Φ6.3	2
54	KS 9HP-1350G-3.1.54	Countershaft duplicate gear	1

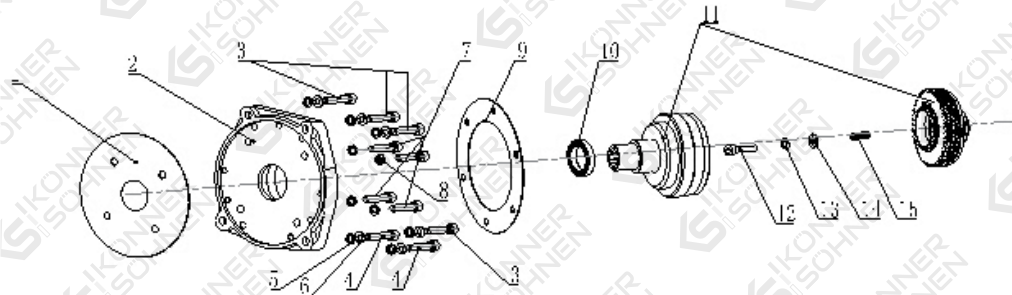
2. TRANSMISSION ASSEMBLY



No	REF. No	DESCRIPTION	QTY
1	KS 9HP-1350G-3.2.1	Cotter pin 2.5*30	1
2	KS 9HP-1350G-3.2.2	Hexagon slotted nut M12*1.75	1
3	KS 9HP-1350G-3.2.3	Spring washer 12*3.1	1
4	KS 9HP-1350G-3.2.4	Flat washer 12*2.5	1
5	KS 9HP-1350G-3.2.5	Countershaft gear	1
6	KS 9HP-1350G-3.2.6	Tapered roller bearing 30204	1
7	KS 9HP-1350G-3.2.7	Tapered roller bearing 30206	2
8	KS 9HP-1350G-3.2.8	Driven bevel gear shaft	1
9	KS 9HP-1350G-3.2.9	Walking gearbox gasket	2
10	KS 9HP-1350G-3.2.10	Walking gearbox	1
11	KS 9HP-1350G-3.2.11	Flat washer 10*2	8
12	KS 9HP-1350G-3.2.12	Spring washer 10*2.6	4

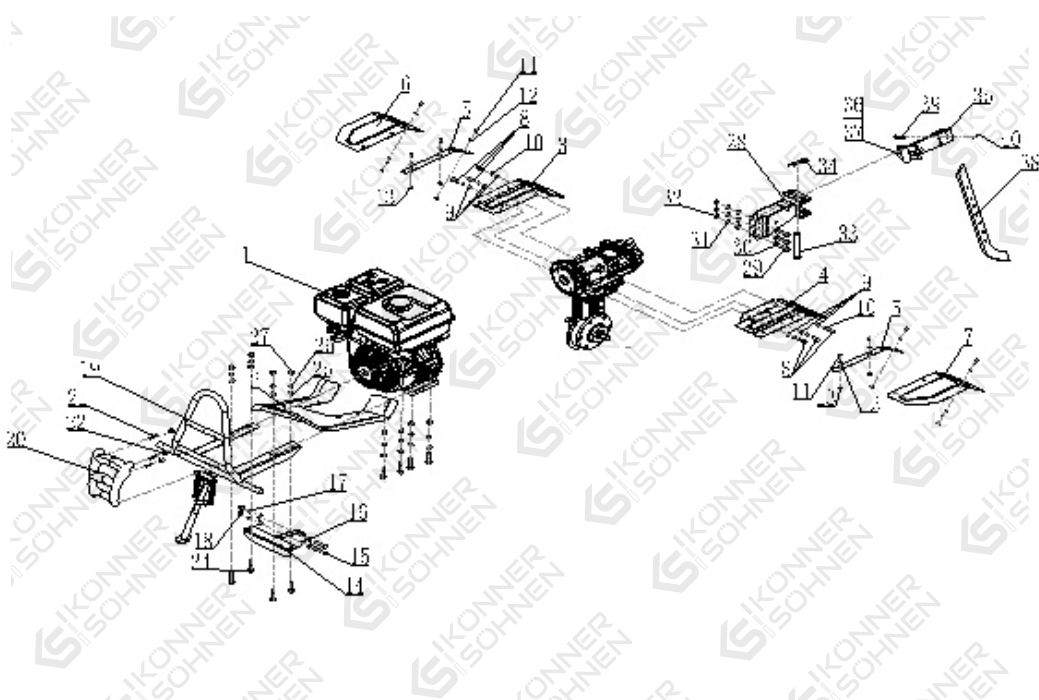
No	REF. No	DESCRIPTION	QTY
13	KS 9HP-1350G-3.2.13	Hex nut M8	4
14	KS 9HP-1350G-3.2.14	Bolt M10*40	4
15	KS 9HP-1350G-3.2.15	Aluminum gasket φ10.5*φ15*2	1
16	KS 9HP-1350G-3.2.16	Bolt M10*12	1
17	KS 9HP-1350G-3.2.17	Dust cover	2
18	KS 9HP-1350G-3.2.18	Oil seal φ30*φ52*8	2
19	KS 9HP-1350G-3.2.19	Walking gearbox cover gasket	1
20	KS 9HP-1350G-3.2.20	Walking gearbox cover	1
21	KS 9HP-1350G-3.2.21	Flat washer 8*1.6	6
22	KS 9HP-1350G-3.2.22	Spring washer 8*2.1	6
23	KS 9HP-1350G-3.2.23	Screw M8*30	6
24	KS 9HP-1350G-3.2.24	Deep groove bearings 6206	1
25	KS 9HP-1350G-3.2.25	Adjusting gasket 30*40*1.0	1
26	KS 9HP-1350G-3.2.26	Output shaft	1
27	KS 9HP-1350G-3.2.27	Walking bevel fear	1
28	KS 9HP-1350G-3.2.28	Adjusting gasket 30*40*0.5	1

3. FLANGE AND CLUTCH ASSEMBLY



No	REF. No	DESCRIPTION	QTY
1	KS 9HP-1350G-3.3.1	Gasket for flange and engine	1
2	KS 9HP-1350G-3.3.2	Flange	1
3	KS 9HP-1350G-3.3.3	Screw M8*30	4
4	KS 9HP-1350G-3.3.4	Bolt M8*25	2
5	KS 9HP-1350G-3.3.5	Spring washer 8*2.1	6
6	KS 9HP-1350G-3.3.6	Flat Washer 8*1.6	6
7	KS 9HP-1350G-3.3.7	Screw M8*35	4
8	KS 9HP-1350G-3.3.8	Spring washer 8*2.1	4
9	KS 9HP-1350G-3.3.9	Gasket for flange and gearbox	1
10	KS 9HP-1350G-3.3.10	Bearing 6206	1
11	KS 9HP-1350G-3.3.11	Clutch assembly	1
12	KS 9HP-1350G-3.3.12	Screw M6*16	1
13	KS 9HP-1350G-3.3.13	Spring washer 6*2.1	1
14	KS 9HP-1350G-3.3.14	Flat Washer 6*1.6	1
15	KS 9HP-1350G-3.3.15	Clutch spring	1

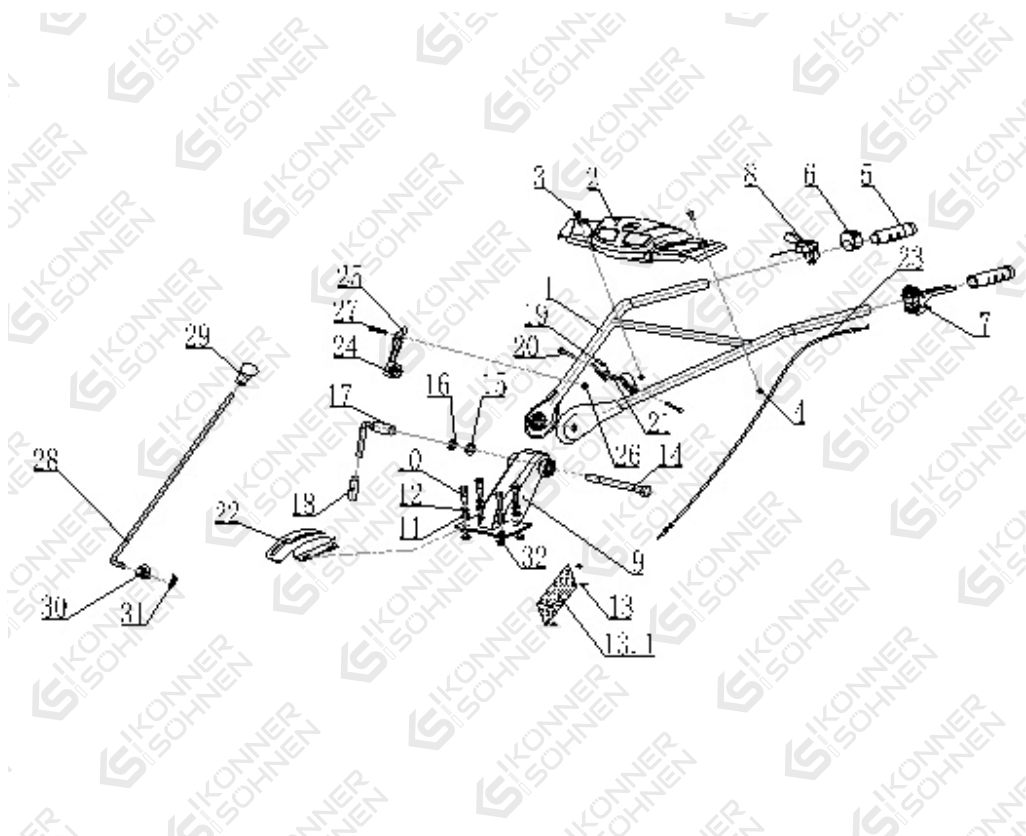
4. FENDER AND CONNECTING FRAME AND SUPPORT FRAME PART



No	REF. No	DESCRIPTION	QTY
1	KS 9HP-1350G-3.4.1	H177F ENGINE	1
2	KS 9HP-1350G-3.4.2	Front fender	1
3	KS 9HP-1350G-3.4.3	Right main fender	1
4	KS 9HP-1350G-3.4.4	Left main fender	1
5	KS 9HP-1350G-3.4.5	Fender plate	2
6	KS 9HP-1350G-3.4.6	Right fender	1
7	KS 9HP-1350G-3.4.7	Left fender	1
8	KS 9HP-1350G-3.4.8	Bolt M8*20	6
9	KS 9HP-1350G-3.4.9	Flat washer 8*1.6	6
10	KS 9HP-1350G-3.4.10	Spring washer 8*2.1	6

No	REF. No	DESCRIPTION	QTY
11	KS 9HP-1350G-3.4.11	Bolt M6*16	6
12	KS 9HP-1350G-3.4.12	Fender gasket $\Phi 6*\Phi 12*1\text{mm}$	6
13	KS 9HP-1350G-3.4.13	Hexagon flange nut M6	6
14	KS 9HP-1350G-3.4.14	Engine support	1
15	KS 9HP-1350G-3.4.15	Bolt M10*40	2
16	KS 9HP-1350G-3.4.16	Flat washer 10*2	4
17	KS 9HP-1350G-3.4.17	Spring washer 10*2.6	2
18	KS 9HP-1350G-3.4.18	Hex nut M10	2
19	KS 9HP-1350G-3.4.19	Bumper assembly	1
20	KS 9HP-1350G-3.4.20	Bumper trim cover (large)	1
21	KS 9HP-1350G-3.4.21	Hexagon socket bolt M6x40	3
22	KS 9HP-1350G-3.4.22	Hexagon lock nut M6	3
23	KS 9HP-1350G-3.4.23	Bolt M10*45	2
24	KS 9HP-1350G-3.4.24	Bolt M10*50	2
25	KS 9HP-1350G-3.4.25	Flat washer 10*2	8
26	KS 9HP-1350G-3.4.26	Spring washer 10*2.6	4
27	KS 9HP-1350G-3.4.27	Hex nut M10	4
28	KS 9HP-1350G-3.4.28	Trailer	1
29	KS 9HP-1350G-3.4.29	Bolt M10*50	3
30	KS 9HP-1350G-3.4.30	Flat washer 10*2	6
31	KS 9HP-1350G-3.4.31	Spring washer 10*2.6	3
32	KS 9HP-1350G-3.4.32	Hex nut M10	3
33	KS 9HP-1350G-3.4.33	Trailer body latch	1
34	KS 9HP-1350G-3.4.34	R pin 3*20*60	1
35	KS 9HP-1350G-3.4.35	Connection bracket	1
36	KS 9HP-1350G-3.4.36	Bolt M8*35	2
37	KS 9HP-1350G-3.4.37	Hex nut M10	2
38	KS 9HP-1350G-3.4.38	Resistance bar	1
39	KS 9HP-1350G-3.4.39	B type pin 10*40	1
40	KS 9HP-1350G-3.4.40	R pin $\Phi 2*9*38$	1

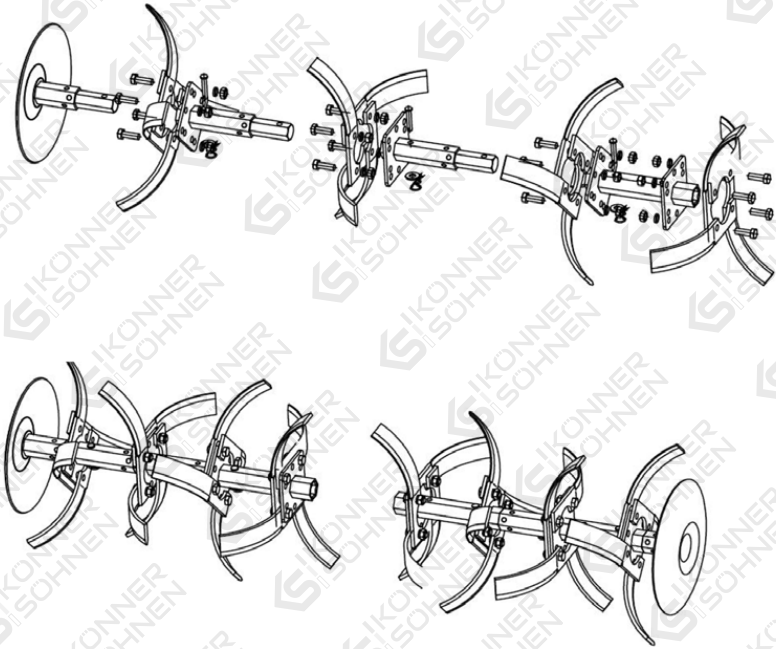
5. ARMREST PART



No	REF. No	DESCRIPTION	QTY
1	KS 9HP-1350G-3.5.1	Armrest frame	1
2	KS 9HP-1350G-3.5.2	Armrest frame BMW cover	1
3	KS 9HP-1350G-3.5.3	Hexagon socket bolt M6*35	2
4	KS 9HP-1350G-3.5.4	Hexagon lock nut M6	2
5	KS 9HP-1350G-3.5.5	Handrail rubber sleeve	2
6	KS 9HP-1350G-3.5.6	Flameout switch	1
7	KS 9HP-1350G-3.5.7	Reverse handle (CE)	1

No	REF. No	DESCRIPTION	QTY
8	KS 9HP-1350G-3.5.8	Throttle switch assembly	1
9	KS 9HP-1350G-3.5.9	Armrest seat	1
10	KS 9HP-1350G-3.5.10	Bolt M10*40	4
11	KS 9HP-1350G-3.5.11	Flat washer 10*2	8
12	KS 9HP-1350G-3.5.12	Spring washer 10*2.6	4
14	KS 9HP-1350G-3.5.14	Bolt M16*2*150	1
15	KS 9HP-1350G-3.5.15	Flat washer 16*3	1
16	KS 9HP-1350G-3.5.16	Spring washer 16*4.1	1
17	KS 9HP-1350G-3.5.17	Lifting handle	1
18	KS 9HP-1350G-3.5.18	Manipulating rubber sleeve	1
19	KS 9HP-1350G-3.5.19	Line card	2
20	KS 9HP-1350G-3.5.20	Screw M5*0.8*30	2
21	KS 9HP-1350G-3.5.21	Hexagon nut M5*0.8	2
22	KS 9HP-1350G-3.5.22	Shift cover	1
23	KS 9HP-1350G-3.5.23	Clutch line	1
24	KS 9HP-1350G-3.5.24	Rubber gasket	1
25	KS 9HP-1350G-3.5.25	Shift cover	1
26	KS 9HP-1350G-3.5.26	Hexagon lock nut M6	2
27	KS 9HP-1350G-3.5.27	Bolt M6*1*35	2
28	KS 9HP-1350G-3.5.28	Shift lever	1
29	KS 9HP-1350G-3.5.29	Manipulating rubber sleeve	1
30	KS 9HP-1350G-3.5.30	Shift lever sleeve	1
31	KS 9HP-1350G-3.5.31	Locking clip	1
32	KS 9HP-1350G-3.5.32	Hex nut M10	4

6. BLADES PART



No	REF. No	DESCRIPTION	QTY
1	KS 9HP-1350G-3.6.1	5-4 Left dry blades assembly (3+1+1)	1
2	KS 9HP-1350G-3.6.2	5-4 right dry blades assembly (3+1+1)	1
3	KS 9HP-1350G-3.6.3	Disc	2
4	KS 9HP-1350G-3.6.4	B type pin 10*40	4
5	KS 9HP-1350G-3.6.5	R pin $\Phi 2*9*38$	4

CONTACTS

konner-sohnen.com

Germany

info@dimaxgroup.de

Poland

info.pl@dimaxgroup.de

Ukraine

sales@ks-power.com.ua